



TO: AUTHORIZED AUTOMOTIVE SERVICE DISTRIBUTOR
AS-1975 MANUAL OWNERS

SUBJECT: FORD 8-CUT CAPPING TOOL

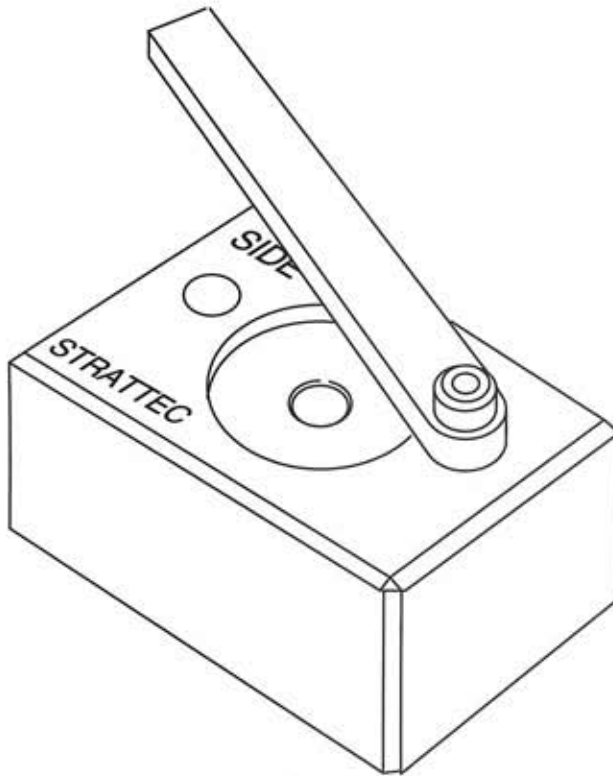
NO: AS-1078

DATE: 12-1-95

FILE IN: BULLETIN BINDER

STRATTEC IS PLEASED TO PRESENT THE NEW FORD CAPPING TOOL.

703417



STRATTEC SECURITY CORPORATION
JIM GRAHAM
FORD SERVICE PRODUCT MANAGER

SERVICE BULLETIN