

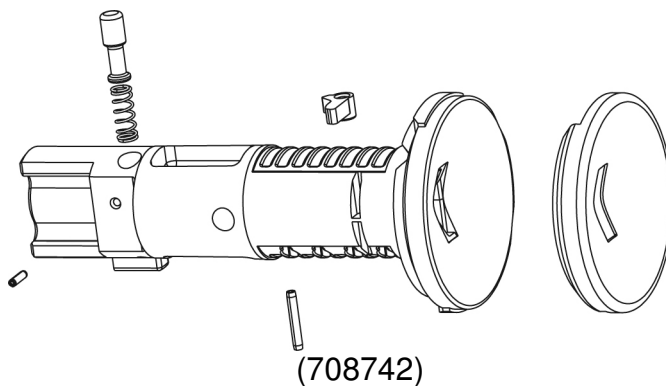


SERVICE BULLETIN

TO:	AS-1975 MANUAL OWNERS/AWLD DIST	NO.	AS-1303
SUBJECT:	708742 Chrysler Caseless Ignition	DATE:	1/7/2008
		FILE IN:	BULLETIN BINDER

STRATTEC introduced ignition lock part #708742 beginning in 2005. It is the original equipment lock for multiple DaimlerChrysler vehicles including:

- Chrysler PT Cruiser – 2005-08
- Chrysler Sebring Convert – 2007-08
- Chrysler Sebring Sedan – 2008
- Dodge Caliber – 2006-08
- Dodge Nitro – 2007-08
- Jeep Compass – 2007-08
- Jeep Patriot – 2007-08
- Jeep Wrangler/Unlimited – 2007-08



Unlike some of the Chrysler ignitions, this particular one utilizes a **door** tumbler system. Use tumblers 322361 – 322365 and **door** spring 46994. These components can be found in your current Chrysler pinning kit #703927 or STRAT-A-Variou kit # 705940.



(322361 – 322365)

Please contact your local STRATTEC distributor for price and availability on these items.