

PART A. INSTRUCTIONS SHEET FOR LOCK SERVICE PACK 1L3Z-11582-A

KIT — 1L3Z-11582-A				
Item #	Part Number	Description	Used in Package	Quantity
A	SK 1L3A-11582-AC	Instruction Sheet (48432)	All	1
B1	324341	Tumbler # 1	All	4
B2	324342	Tumbler # 2	All	4
B3	324343	Tumbler # 3	All	4
B4	324344	Tumbler # 4	All	4
B5	324345	Tumbler # 5	All	4
C	56223	Tumbler Springs	All	10
D	691190	Cylinder Sub-Assembly	All	1
E	48039	Grease Pack	All	1
F	691189	Lock Case Sub-Assembly	All	1
G	381591	Actuator	All	1
H		Retainer Pin (Included in in (D) Sub-Assembly)	All	1
I	56093	Detent Spring	All	1
J	94746	Detent Ball	All	1
K2	596659	Switch, Key Minder	All	1

NOTE: Not all parts are in all kits. This Instruction Sheet is not an inspection document.

SERVICE PROCEDURE:

1. Determine the matching key cut depth at each key station. Any of the following three methods may be used:
 - 1a. Use the OEM key code provided with the vehicle and look up the cut pattern in the key code table.
 - 1b. Use a "key decoder" to determine each cut height. A decoder may be included with the Rotunda Key Cutter, Part No. 011 00215 or can be ordered separately through Rotunda Part No. 011 RMT61. Equivalent decoders are commonly available through the locksmith industry. (A key decoder is a plate with an elongated slot corresponding to the different key cut heights).
 - 1c. Using the customer's key, measure the key cut depth at each key station (refer to Figure 2).

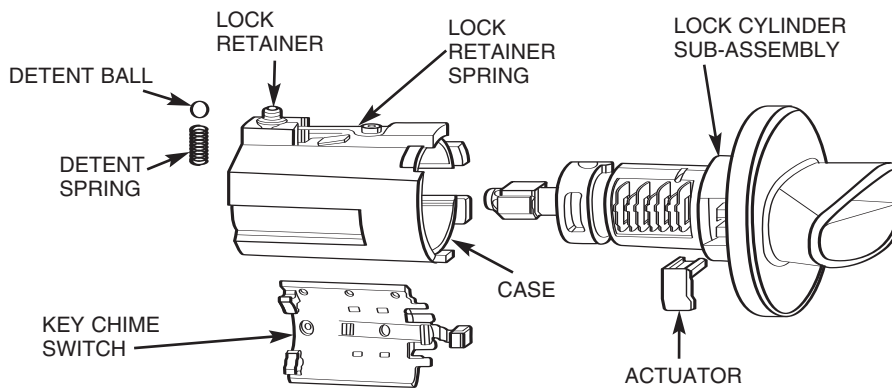
Write down the key cut depths, in terms of the depth code, not the actual measurements of the depths, in the following order:

Station 1	Station 2	Station 3	Station 4	Station 5	Station 6	Station 7	Station 8

2. Select the required tumblers (B1, B2, B3, B4, or B5) according to the key cut depths for key stations 2, 3, 4, 5, 6, 7, and 8. For example, if the key cut depths codes are 53214124, then use B3 for Station 2, B2 for Station 3, B1 for Station 4, B4 for Station 5, B1 for Station 6, etc. and ignore Station 1.
3. Insert one tumbler spring (C) into each of the holes located at the end of the tumbler wards on the lock cylinder (D).
4. Insert the required tumblers (B1, B2, B3, B4, or B5) into the tumbler wards in the proper orientation (refer to Figure 3), and in the sequence that match the key cut depths, for key stations 2, 3, 4, 5, 6, 7, and 8.
5. Insert the key into the hole and verify that all tumblers are flush with the lock cylinder's exterior surface.



6. Assemble key minder switch to case. Switch is very delicate, handle with care during installation.
7. Apply grease to the areas noted in Figure 4:
 - a. Generous amount in the tumbler slots of the case.
 - b. Two (2) small dots on the large inside case diameter.
 - c. Detent ball pocket and surrounding area of cylinder.
8. Insert the actuator (G) into the cylinder actuator cavity in the orientation and at the location shown in Figure 5.
9. With the key in the lock cylinder, insert the lock cylinder into the lock case (F).
10. Rotate the lock cylinder within the lock case at least ten times so that the grease applied to the tumbler slots is distributed along the inner surface of the lock case and the exterior surface of the lock cylinder.
11. Use a small flat-blade screwdriver to gently lift the lock retainer spring and remove the lock retainer pin (H) (refer to Figure 6). Look into the location where the retainer pin (H) once was. Rotate the lock cylinder (D) to reveal a round hole approximately 3mm in diameter.
12. Insert the detent spring (I) into the round hole identified in Step 10.
13. Insert the detent ball (J) into the round hole identified in Step 10.
14. Use a small flat-blade screwdriver to gently lift the lock retainer spring and re-install the lock retainer pin (H).
15. Look into the back of the lock, press the lock retainer pin (H) down and rotate the lock cylinder (D) 1/2 a revolution clockwise to set the detent ball (J) in place.
16. Remove the key from the lock cylinder while keeping the lock cylinder within the lock case.
17. Use the key to check the operation of the lock.
18. Install the completed lock assembly into the steering column.
19. Include the key code for the removed lock with the returning parts.



CAUTION: KEY CHIME IS VERY DELICATE, HANDLE WITH CARE DURING INSTALLATION

FIGURE 1



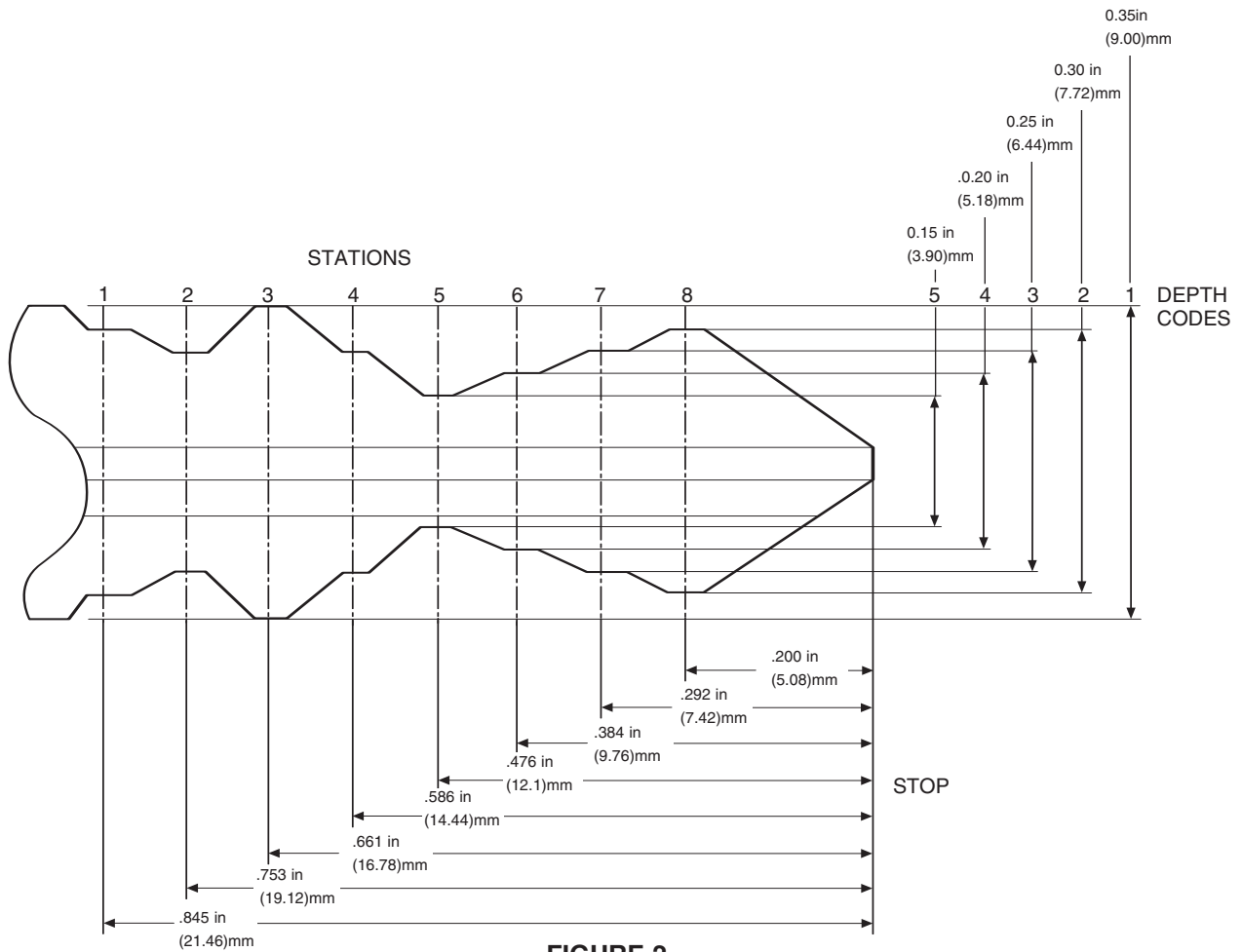


FIGURE 2

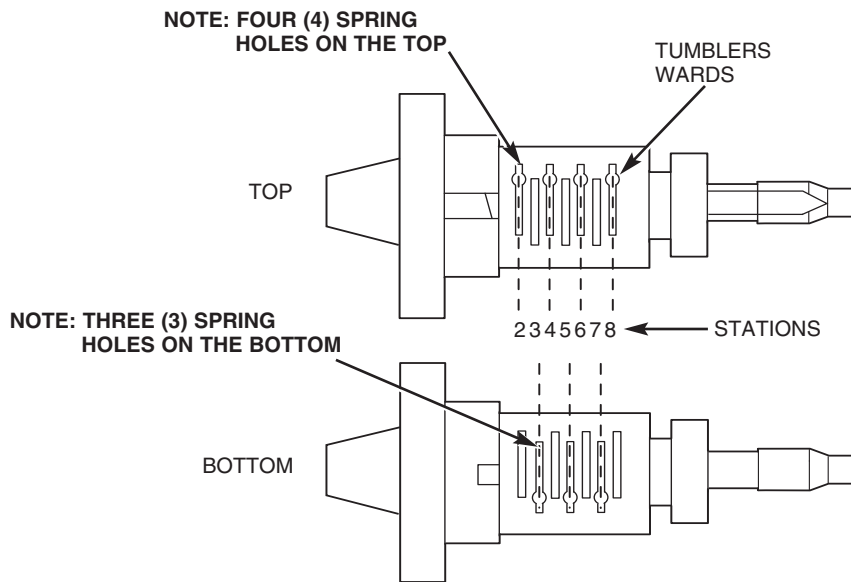


FIGURE 3



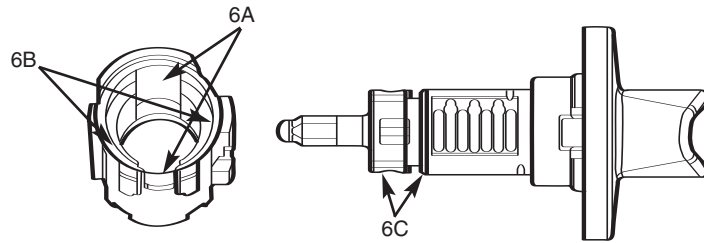


FIGURE 4

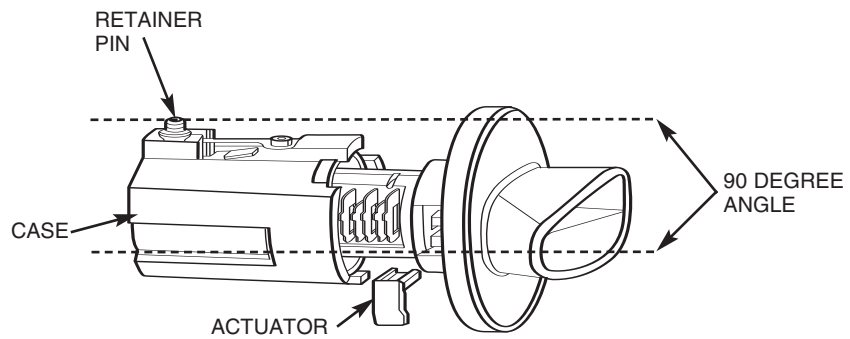


FIGURE 5

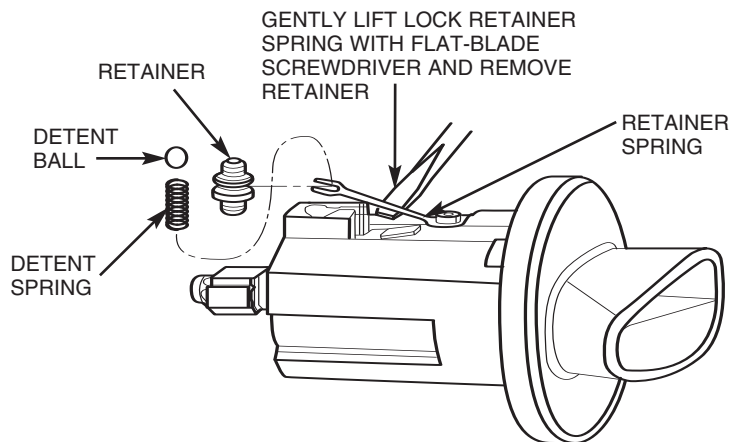


FIGURE 6

