



**FORD AND CHRYSLER
SUPPLEMENT TO
1980
AUTOMOTIVE
LOCK AND KEY
CATALOG**

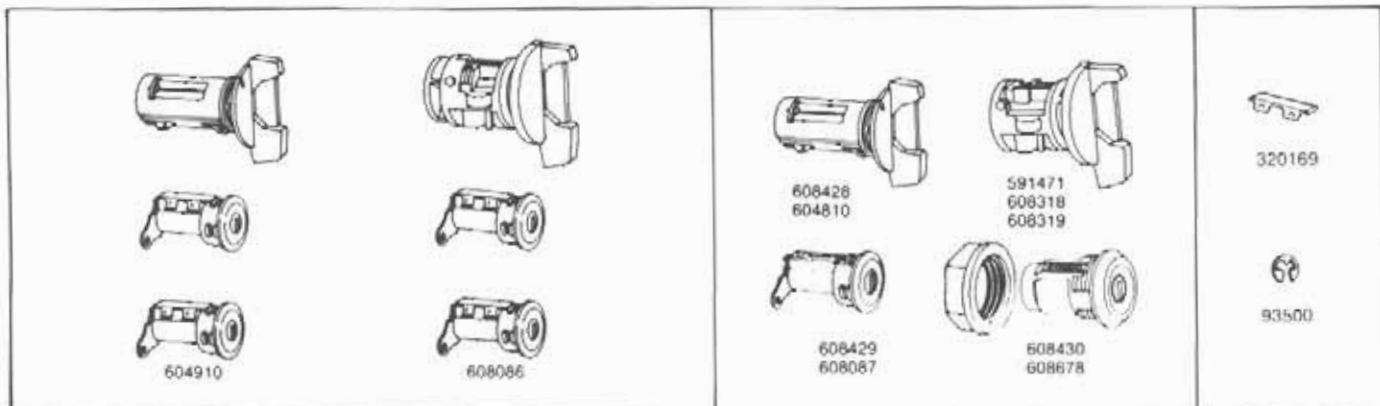
CHRYSLER MOTOR BODY STYLE DETAIL 1980

	PLYMOUTH	DODGE	CHRYSLER
B	Caravalle		
E		St. Regis	
F			LeBaron
G		Diplomat	
H	Volare		
M	Horizon		
N		Aspen	
S			Cordoba
T			Newport & New Yorker
X		Mirada	
Z		Omni	

Please advise your Briggs & Stratton Authorized Automotive Service Distributor if you have lock requirements that are not covered in the following detail. Wherever possible we will attempt to fill those needs.

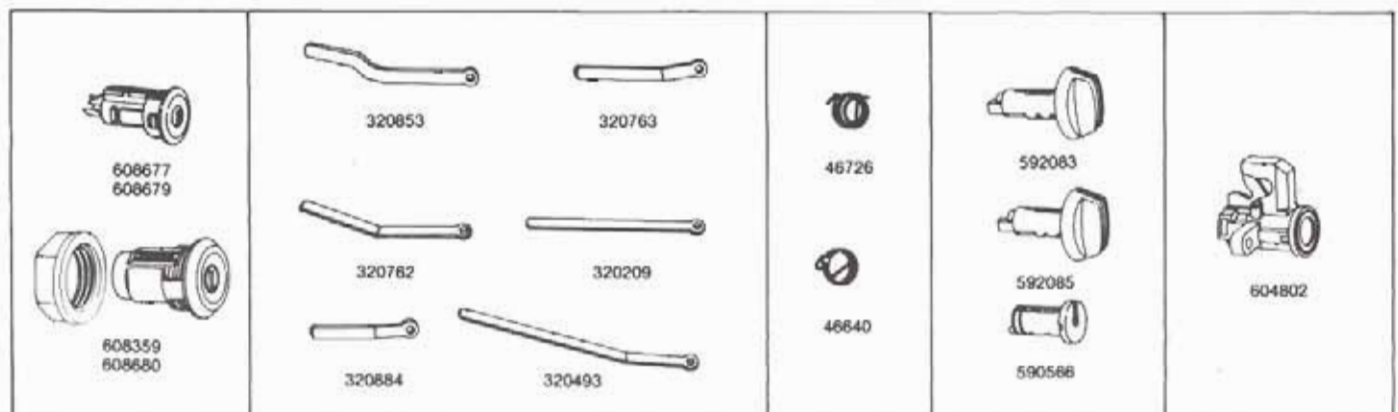
CHRYSLER 1980

PART NO.	MODELS	TYPE	KEYS		CAR MFRS. PART NO.	CAR CODE APPLICATION
			SERIES	GRV.		
604910 608086	B-E-F-G-H-N-S-T-X B-E-F-G-H-N-S-T-X-M-Z	Lock Sets Primary Set - w/Keys Primary Set - w/Keys	EP EP	61 61		
604810 608318 608428 591471 321001 321002 321003 321004 321005 321006 590091 320501 320484	B-E-F-G-H-N-S-T-X B-E-F-G-H-N-S-T-X-M-Z 604810 608318 604810-608428 604810-608428 604810-608428 604810-608428 604810-608428 604810-608428 604810-608428 604810-608428 604810-608428 608318-591471	Ignition Lock Coded - Tilt Column Lock Coded Conventional Column Lock Uncoded - Tilt Column Lock Uncoded - Conventional Column Side Bar Tumbler #1 Side Bar Tumbler #2 Side Bar Tumbler #3 Side Bar Tumbler #4 Side Bar Tumbler #5 Side Bar Tumbler #6 Tumbler Spring Tumbler Retainer Tumbler Retainer	EP EP	61 61 61 61	4054878	3454523
608087 608429 320169 93500	All Models 608087 608087 608087	Doors Lock Coded w/Pawl - Universal - R. H. & L. H. Lock Uncoded w/Pawl - Universal - R. H. & L. H. Tumbler Retainer E-Ring Retainer	EP	61 61	3730936 3730936 2765069	
608678 608430	B-E-F-G-H-N-T 608678	Rear Compartment Lock Coded - Universal - Less Cyl. Return Spring & Shaft w/Mtg. Nut Lock Uncoded - Universal - Less Cyl. Return Spring & Shaft w/Mtg. Nut	ES	53 53		



CHRYSLER 1980 (Continued)

PART NO.	MODELS	TYPE	SERIES	KEYS	GRV.	CAR MFRS. PART NO.	CAR CODE APPLICATION
320853 320763 320762 320884 320493 320701 46726 46640	H-N F-G E-T H-N-B-F-G X-S 608678-608430-608679-608677 608678-608430 608679-608677	Rear Compartment (Continued) Lock Shaft Lock Shaft Lock Shaft Lock Shaft Lock Shaft Tumbler Retainer Lock Cyl. Return Spring Lock Cyl. Return Spring					
592083 592085 604802 320310 72310 72340 82293 32503 32504 320455 46650	B-E-F-G-H-M-N-T-Z E-T 592083-592085	Glove Compartment Lock Cyl. Uncoded Lock Cyl. Uncoded Case & Rotor Tumbler #1 Tumbler #2 Tumbler #3 Tumbler #4 Tumbler #5 Tumbler #6 Tumbler Retainer Tumbler Spring			53 61	812281	
590566	Station Wagon	Tailgate Lock Cyl. Uncoded - Manual			61		
608680 608359 320884 46726 320701	B-F-G-H-N 608680 608680-608359 608680-608359 608680-608359	Liftgate Lock Coded - Universal - Less Cyl. Return Spring & Shaft w/Mtg. Nut Lock Uncoded - Universal - Less Cyl. Return Spring & Shaft w/Mtg. Nut Lock Shaft - Universal Cyl. Return Spring Tumbler Retainer	EP		61 61	4054973	
592083 604802	B-F-G-H-M-N-Z 592083	Stowage Lock Cyl. Uncoded Case & Rotor			53		
320514 320433	All Models All Models	Key Blanks Primary Secondary			61 53	2999041	



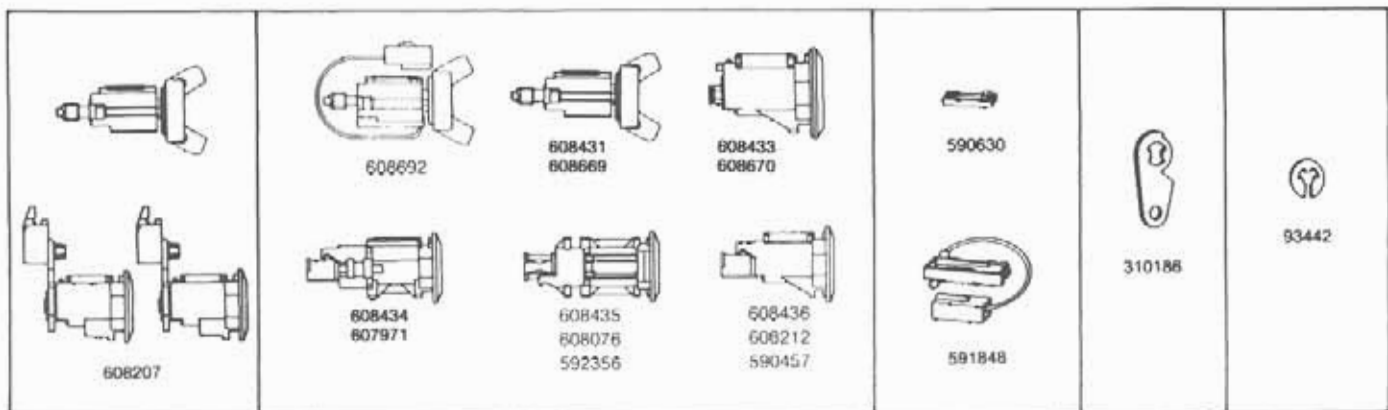
FORD MOTOR BODY STYLE DETAIL 1980

	FORD	LINCOLN	MERCURY
A	LTD		
B	Fairmont		
C			Capri
D	Granada		
E	Pinto		
K			Zephyr
L		Mark	
M			Mercury
S	T-Bird		
V		Lincoln	
W			Cougar
Y			Bobcat
Z	Mustang		
4 (Exc. 54M)			Monarch

Please advise your Briggs & Stratton Authorized Automotive Service Distributor if you have lock requirements that are not covered in the following detail. Wherever possible we will attempt to fill those needs.

FORD 1980

PART NO.	MODELS	TYPE	SERIES	KEYS	GRV.	CAR MFRS. PART NO.	CAR CODE APPLICATION
608207	D-E-Y-4 (Exc. 54M)	Lock Set Lock Set Primary - w/Keys	FA		49	D9EB-6222050-BA	
608669 608692 608431 590630	D-E-Y-4 (Exc. 54M) B-A-Z-K-M-C 608669-608692 608669-608431	Ignition Lock Coded w/Switch Lock Coded w/Switch Lock Uncoded - Less Switch Alarm Switch	FA FA		49 49 49	D2AB-11A127-AB	
591848 320849	608692-608431 608669-608692-608431	Alarm Switch Tumbler Retainer				D6AB-11A611-AA	
608670 608433 310186	A-B-C-D-K M-Y-Z-4 (Exc. 54M) 608670 608670-608433	Doors Lock Coded Less Pawl Lock Uncoded Less Pawl Lock Pawl - Univ. - R. H. & L. H.	FA		49 49	D2AZ-6521970-A	
380018 320126 93442	608670-608433 608670-608433 608670-608433	Rod Retainer Tumbler Retainer E-Ring Retainer					
607971 608076 608212 608434 608435 608436 592356 590547	B-K-L-M-S-V-W-Y A-C-D-Z-4 (Exc. 54M) E 607971 608076 608212 Fleet Fleet	Rear Compartment Lock Coded - Universal Lock Coded - Vertical Mtg. Lock Coded - Universal Lock Uncoded - Universal Lock Uncoded - Vertical Mtg. Lock Uncoded - Universal Lock Uncoded - Vertical Mtg. Lock Uncoded	FB FB FB		48 48 48 48 48 48 49 49		



FORD 1980 (Continued)

PART NO.	MODELS	TYPE	KEYS		CAR MFRS. PART NO.	CAR CODE APPLICATION
			SERIES	GRV.		
46632	607971-608076-608212- 608671-608673-608434- 608435-608436-592356- 590547	Rear Compartment (Continued) Cyl. Return Spring			C5AB- 6243294-A	
608210 607961 608693 591195 320661 320662 320663 320664 320665 320962 46738 46698 607843 310569	E-Y D-4 (Exc. 54M) A-B-C-K-L-M-S-V-W-Z 608693 608693-591195 608693-591195 608693-591195 608693-591195 608693-591195 608693-591195 608693-591195 608693-591195 608693-591195 608693-591195 607843	Glove Compartment Lock Coded Lock Coded - Universal Lock Cyl. Coded Lock Cyl. Uncoded Tumbler #1 Tumbler #2 Tumbler #3 Tumbler #4 Tumbler #5 Anti-Rattle Tumbler Anti-Rattle Tumbler Spring Tumbler Spring Glove Latch Retainer Clip	FB FB FB	48 48 48 48	D20B- 6522077-AA	
608670 608433 310194 93442	E-Y 608670 608670-608433 608670-608433	Liftgate Lock Coded Less Pawl Lock Uncoded Less Pawl Lock Pawl E-Ring Retainer See Door Lock Detail	FA	49 49		
608674	A-M	Stowage Lock Coded	FB	48		
320516 320321 320934 320935	All Models All Models All Models All Models	Key Blanks Primary Secondary Primary (Aluminum) Secondary (Aluminum)		49 48 49 48	D7AB- 5322053-AA	

